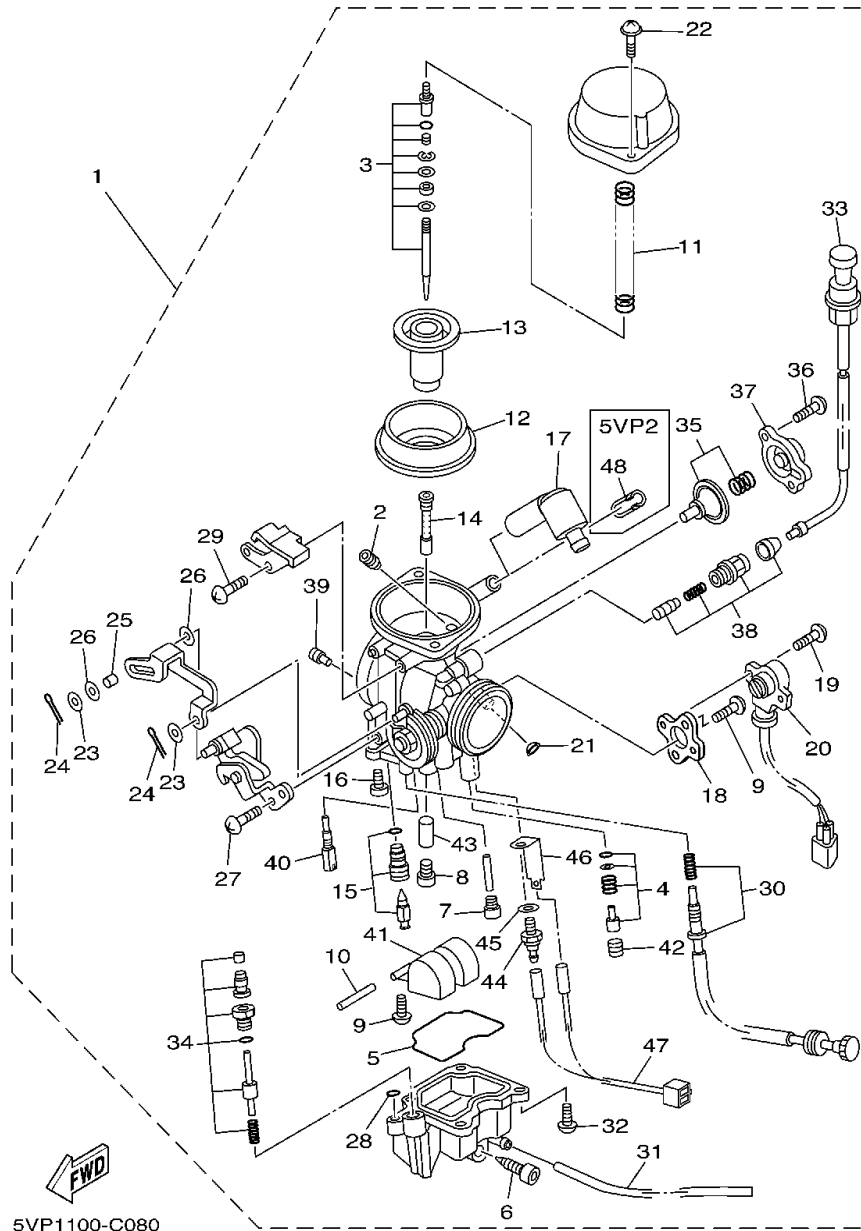


Fig. 8 CARBURETOR



| Ref. No. | Part No. | Part Name | Remarks |
|----------|--------------|-----------------------|---------|
| 1 | 5VN-14101-00 | CARBURETOR ASSY 1 | 1 |
| 2 | 239-14172-20 | .PILOT JET, AIR (2.0) | 1 |
| 3 | 4WM-1490J-00 | .NEEDLE SET | 1 |
| 4 | 4WM-14105-00 | .PILOT SCREW SET | 1 |
| 5 | 5DM-14561-00 | .O-RING | 1 |
| 6 | 4KP-14191-00 | .PLUG, DRAIN | 1 |
| 7 | 3G2-14231-00 | .JET, MAIN (0.6) | 1 |
| 8 | 620-14231-87 | .JET, MAIN (#182.5) | 1 |
| 9 | 98507-04008 | .SCREW, PAN HEAD | 3 |
| 10 | 127-14186-00 | .PIN, FLOAT | 1 |
| 11 | 4KM-14933-00 | .SPRING, DIAPHRAGM | 1 |
| 12 | 4SV-24411-00 | .DIAPHRAGM | 1 |
| 13 | 4SV-14112-00 | .VALVE, THROTTLE 1 | 1 |
| 14 | 4WM-14141-02 | .NOZZLE, MAIN | 1 |
| 15 | 4SV-14107-20 | .NEEDLE VALVE SET | 1 |
| 16 | 1FN-14565-00 | .SCREW | 1 |
| 17 | 4SV-14197-00 | .PIPE | 1 |
| 18 | 4WM-14291-00 | .BRACKET 1 | 1 |
| 19 | 4WM-14565-00 | .SCREW | 2 |
| 20 | 4WM-85885-00 | .THROTTLE SENSOR ASSY | 1 |
| 21 | 3XV-14994-00 | .NET, FILTER | 1 |
| 22 | 4KM-14216-00 | .SCREW | 2 |
| 23 | 73A-14973-00 | .WASHER | 2 |
| 24 | 91492-12008 | .PIN, COTTER | 2 |
| 25 | 4WM-14264-00 | .COLLAR | 1 |
| 26 | 4WM-14327-00 | .WASHER | 2 |
| 27 | 98507-05008 | .SCREW, PAN HEAD | 1 |
| 28 | 3FV-14147-00 | .O-RING | 1 |

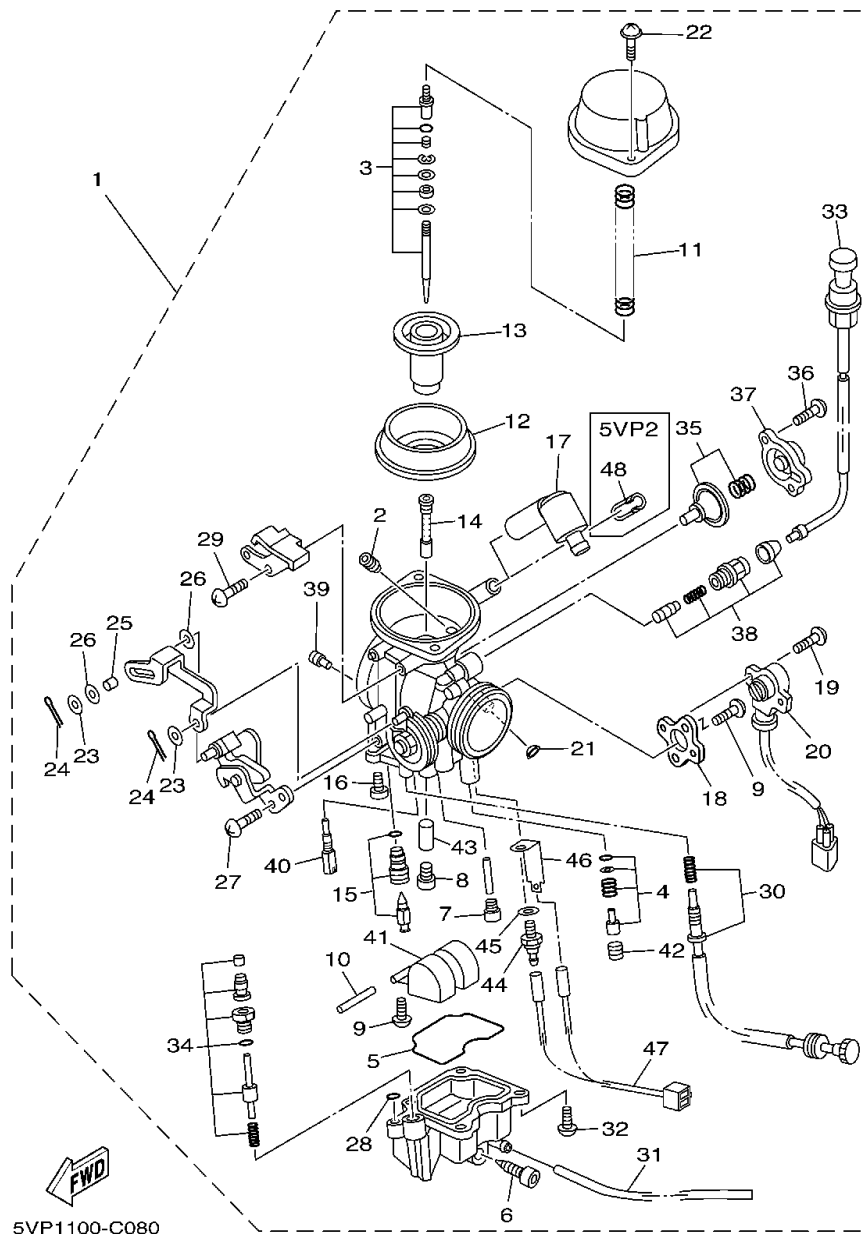


Fig. 8 CARBURETOR

| Ref. No. | Part No. | Part Name | | Remarks |
|----------|--------------|----------------------|---|---------|
| 29 | 98507-05010 | .SCREW, PAN HEAD | 1 | |
| 30 | 4WM-14103-00 | .THROTTLE SCREW SET | 1 | |
| 31 | 4WM-14987-00 | .HOSE | 1 | |
| 32 | 98507-04010 | .SCREW, PAN HEAD | 4 | |
| 33 | 4WM-14130-00 | .CABLE | 1 | |
| 34 | 4WM-14504-00 | .ROD SET | 1 | |
| 35 | 4WM-1490H-00 | .DIAPHRAGM SET 5 | 1 | |
| 36 | 1UY-14565-00 | .SCREW | 2 | |
| 37 | 3LD-14958-00 | .COVER, DIAPHRAGM | 1 | |
| 38 | 4WM-1410A-00 | .STARTER SET | 1 | |
| 39 | 1HX-14231-20 | .JET,PILOT AIR(#100) | 1 | |
| 40 | 4KM-14142-35 | .JET, PILOT (# 35) | 1 | |
| 41 | 5DM-14985-00 | .FLOAT | 1 | |
| 42 | 3F9-14118-00 | .CAP | 1 | |
| 43 | 4WM-14918-00 | .RING | 1 | |
| 44 | 5FU-83790-20 | .HEATER ASSY (30W) | 1 | |
| 45 | 90201-085R5 | .WASHER, PLATE | 1 | |
| 46 | 3BT-82103-00 | .TERMINAL 1 | 1 | |
| 47 | 4WM-81517-00 | .WIRE, SUB LEAD | 1 | |