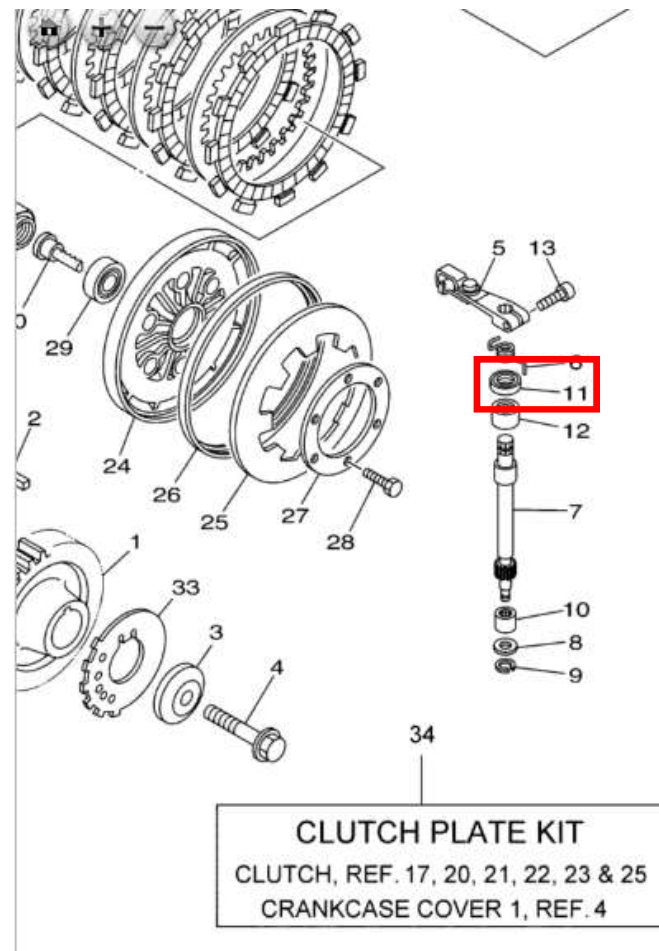




Uszczelniacz osadzony w obudowie sprzęgła



6	Transfer, Clutch 90508-16007-00	\$2.95	1	ADD
7	Axle, Push Lever 4WM-16382-00-00	\$39.85	1	ADD
8	Washer, Plate 92907-08600-00	\$2.95	1	ADD
9	Circlip 99004-07600-00 99080-07600-00	\$2.95	1	ADD
10	Bearing 93317-11020-00 93317-11096-00	\$9.86	1	ADD
11	Oil Seal 93102-15212-00	\$3.79	1	ADD
12	Bearing 93315-31502-00	\$13.39	1	ADD
13	Bolt, Hexagon Socket Head 91314-06020-00	\$2.95	1	ADD
14	Primary Driven Gear Comp 4WM-16150-00-00	\$312.80	1	ADD
15	Plate, Thrust 1 5VN-16154-00-00	\$11.61	1	ADD
16	Clutch Boss Assy 5PX-16370-10-00			
17	Ring Set INCL. IN CLUTCH P 26H-16385-00-00			

PARTZILLA
THE ALTERNATIVE TO RETAIL PRICES

SHOP BY
Brand

Search for part number(s) or name(s)

YOUR
Account



OIL SEAL

93102-15212-00

by Yamaha

\$5.37-31% OFF

\$3.73

In Stock

Ships within 24 hours - Displaying availability for Choose A Location

1

Add to Cart

Add to List