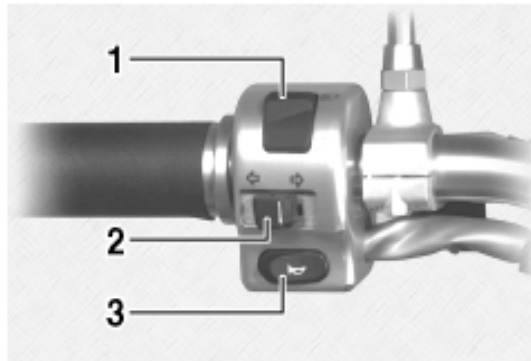


# INSTRUMENT AND CONTROL FUNCTIONS

## Handlebar switches

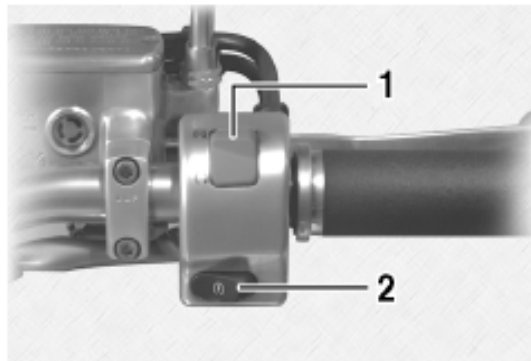
EAU12343

### Left



1. Dimmer switch “/”
2. Turn signal switch “/”
3. Horn switch “”

### Right



1. Engine stop switch “/”
2. Start switch “”

### Dimmer switch “/”

EAU12400

Set this switch to “” for the high beam and to “” for the low beam.

### Turn signal switch “/”

EAU12430

To signal a right-hand turn, push this switch to “”. To signal a left-hand turn, push this switch to “”. When released, the switch returns to the center position.

Since this model is equipped with a self-canceling system, the turn signal lights will self-cancel after the vehicle has traveled both about 150 m (490 ft) and for approximately 15 seconds.

However, the turn signal lights can also be canceled manually by pushing the switch in after it has returned to the center position.

### NOTE:

The self-canceling system only operates when the vehicle is moving, so that the turn signal lights will not self-cancel while you are stopped at an intersection.

### Horn switch “”

EAU12500

Press this switch to sound the horn.

### Engine stop switch “/”

EAU12660

Set this switch to “” before starting the engine. Set this switch to “” to stop the engine in case of an emergency, such as when the vehicle overturns or when the throttle cable is stuck.

### Start switch “”

EAU12710

Push this switch to crank the engine with the starter.

ECA10050

### CAUTION:

See page 5-1 for starting instructions prior to starting the engine.