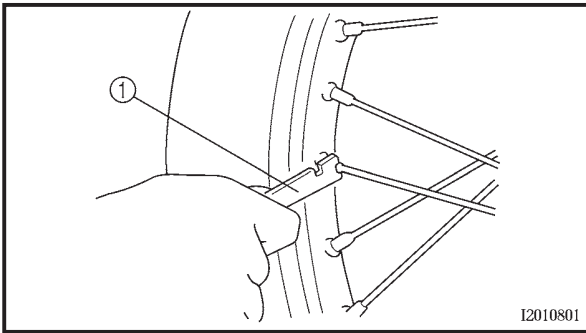



## CHECKING AND TIGHTENING THE SPOKES/ CHECKING AND LUBRICATING THE CABLES



2. Tighten:
  - spokes  
(with a spoke wrench ①)

 **3 Nm (0.3 m · kg, 2.2 ft · lb)**

### NOTE:

Be sure to tighten the spokes before and after break-in.

EAS00170

## CHECKING AND LUBRICATING THE CABLES

The following procedure applies to all of the cable sheaths and cables.

### **WARNING**

**Damaged cable sheaths may cause the cable to corrode and interfere with its movement. Replace damaged cable sheaths and cables as soon as possible.**

1. Check:
  - cable sheath  
Damage → Replace.

2. Check:
  - cable operation  
Rough movement → Lubricate.



**Recommended lubricant  
Engine oil or a suitable cable  
lubricant**

### NOTE:

Hold the cable end upright and pour a few drops of lubricant into the cable sheath or use a suitable lubing device.